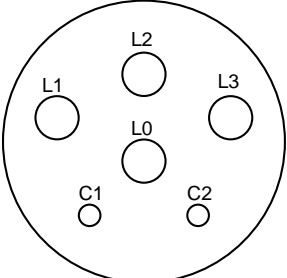


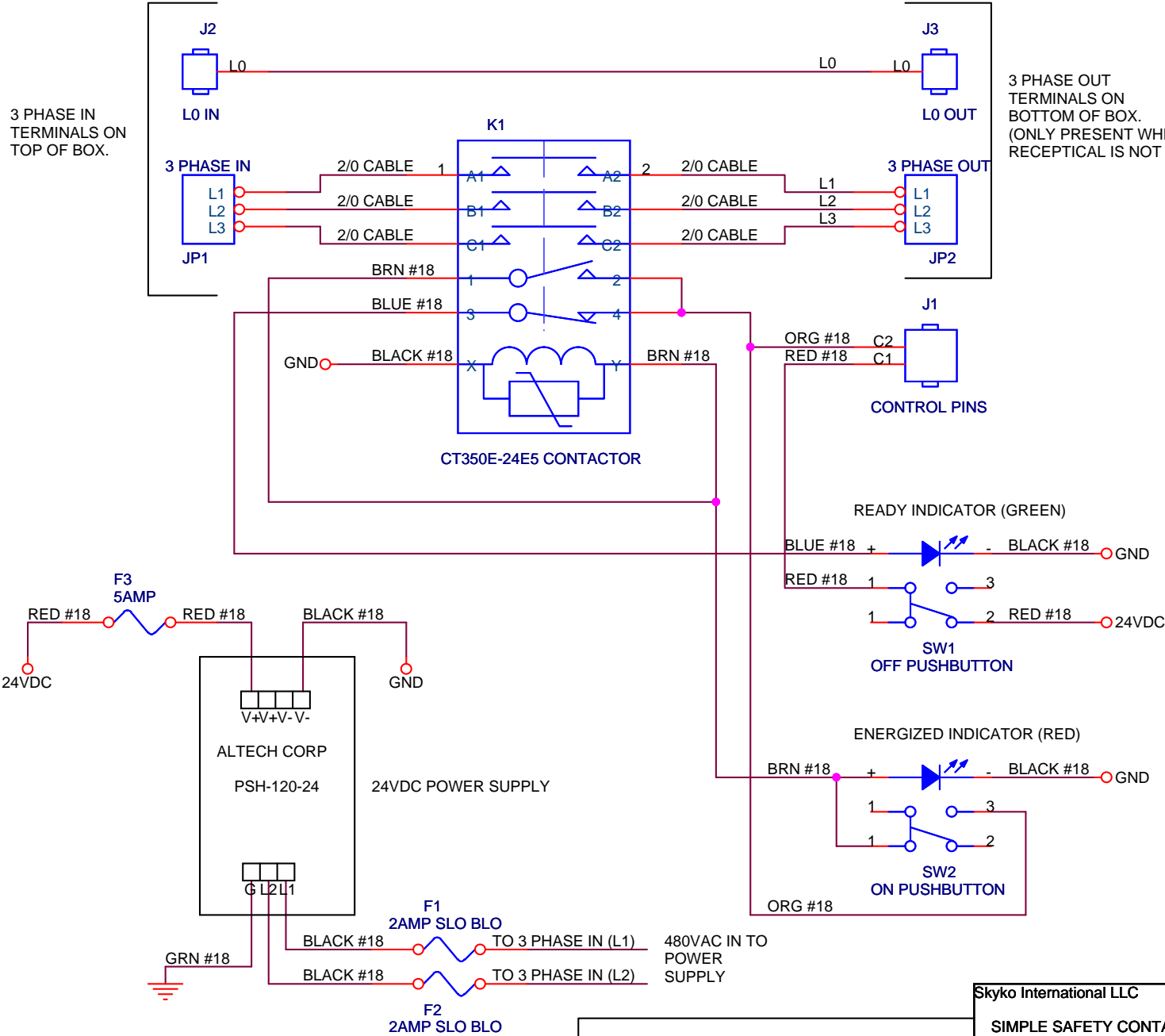
3 PHASE IN
TERMINALS ON
TOP OF BOX.

3 PHASE OUT
TERMINALS ON
BOTTOM OF BOX.
(ONLY PRESENT WHEN
RECEPTICAL IS NOT USED.)

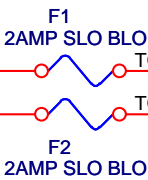
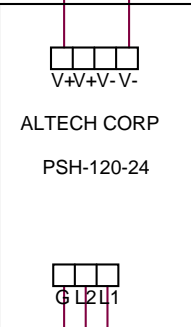


WHEN RECEPTICAL SOCKET & MOUNTING SHIELD ARE USED, THE CONDUCTORS ARE CONNECTED DIRECTLY TO THE CONTACTOR, "L0" AND C1-C2 AS LABELED.

THIS RECEPTICAL
#MS27285
MATES WITH PLUG
#MS27265.



CT350E-24E5 CONTACTOR



THIS DOCUMENT CONTAINS PROPRIETARY INFORMATION TO SKYKO INTERNATIONAL. IT MAY NOT BE REPRODUCED, DUPLICATED, TRANSFERRED TO DOCUMENTS OR USED FOR MANUFACTURING OR ANY OTHER PURPOSES WITHOUT PRIOR WRITTEN PERMISSION OF SKYKO INTERNATIONAL.

Skyko International LLC		
SIMPLE SAFETY CONTACTOR 480VAC, 60HZ, 260 AMPS 3 PHASE		
Title SIMPLE SAFETY CONTACTOR		
Size A	Document Number PART #7501-2000-0350.SCH	Rev A
Date: Monday, August 24, 2009	Sheet 1	of 1